

Data Sheet

Wildeye 3G/4G IoT Logger

Description

The Wildeye is a revolutionary device that connects meters & sensors directly to your phone - out of the box.

Connect your Wildeye to any compatible meter or sensor in 3G or 4G coverage and continuously monitor sensors and meters, control remote pumps and valves, and generate alerts and reports.

Wildeye comes with a website subscription that allows you to view data on graphs, dashboards or map views, and to configure and control your fleet of devices.

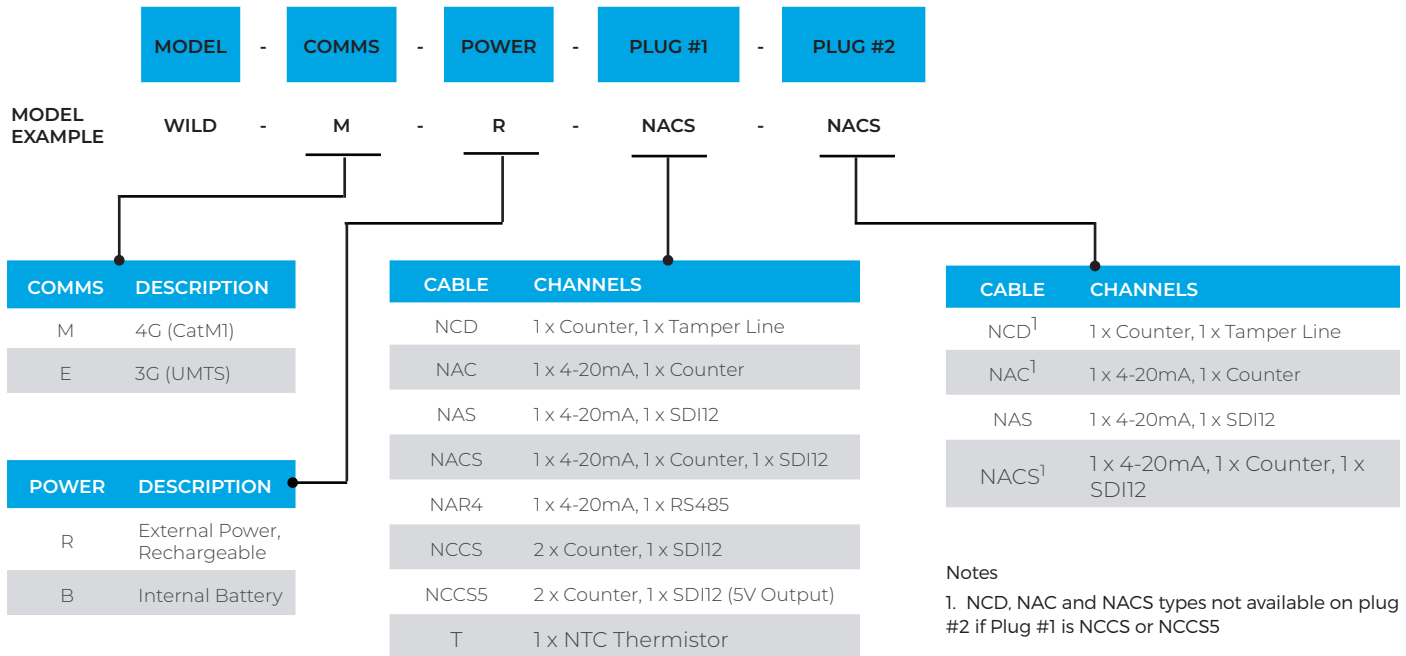
Features

- Connect any meter or sensor
- IP68 Waterproof
- SIM card builtin for Verizon or AT&T connectivity
- Rechargeable version runs directly from solar panel
- Long-life version lasts up to 6 years
- Power from any 8-30V DC power source
- Waterproof external battery packs available to boost lifetime
- Monitor up to 12 meters/sensors from a single wildeye
- Add extra sensors with Expander modules



Wildeye 3G/4G IoT logger - rechargeable, 2 plug version with example iPhone app screenshot

Model Numbering System



Wildeye USA
5811 E. Princeton Ave.
Fresno, CA 93727
(559) 290-7915

Wildeye Australia
Unit 1, 316 Onslow Road
Shenton Park, WA 6008
1300 WILDEYE

Wildeye New Zealand
16 York Street
Parnell, Auckland
0800 WILDEYE



Data Sheet

Wildeye 3G/4G IoT Logger

Hardware

Analog Inputs

Channels	max 2 native (up to 12 with expanders)
Type	0-20mA, 0-5V, 10K Resistance
Accuracy	0.1%
Electrical	0-20mA, single ended
Switched Power (SPO)	200mA Max, 12V

Pulse Counter Inputs

Channels	max 2 native
Open-circuit voltage	2.8 V
Close circuit voltage threshold	1.2 V
Input Impedance	1 MOhm
Minimum Pulse Width	20 ms
Maximum Frequency	25 Hz

Datalogger

Max Datapoints capacity	3G: 4000 Datapoints 4G: 10000 Datapoints
Channel Sampling Rate	max 1 min per channel

Digital Interfaces

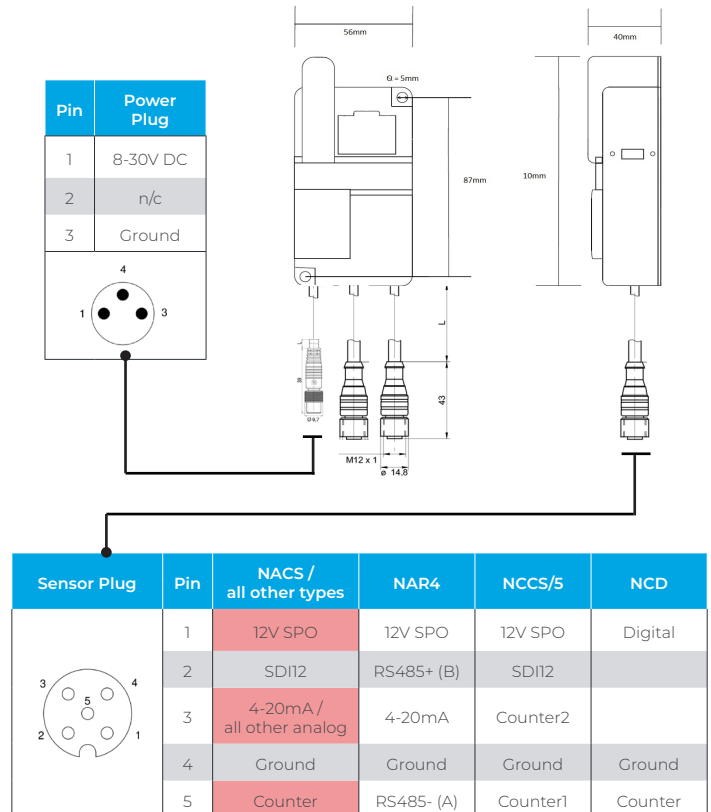
Types Supported	Native: SDI-12, RS-485 (half duplex) with Expander: RS-232, TTL
SDI-12, RS-485 Connections	Max 12

Physical

Size	4.33in x 2.17in x 1.58in (110mm x 55mm x 40mm)
Weight	9 oz (255g)
Operating Temperature	23 °F to 140 °F (-5 °C to 60 °C)

Telecommunications

3G [UTMS] Frequencies	WCDMA 850/1900 Mhz WCDMA 900/2100 Mhz WCDMA 850/2100 Mhz
3G [UMTS] Power Output	1A @ 3.6V (+23dBm, 200mW)
4G [CatM1] Frequencies	3GPP Release 13 Bands: 1-5, 8,12,13,18-20,25,26,28 Freq: 700, 750, 800, 850, 900 1700, 1800, 1900, 2100 MHz
4G [CatM1] Power Output	LTE Cat M1 / NB19 : Class 3 (23 dBm, 200mW)
Antenna Plug Type	SMA



Note: Connector cable length L is typically 1ft (30 cm)

Wildeye USA
5811 E. Princeton Ave.
Fresno, CA 93727
(559) 290-7915

Wildeye Australia
Unit 1, 316 Onslow Road
Shenton Park, WA 6008
1300 WILDEYE

Wildeye New Zealand
16 York Street
Parnell, Auckland
0800 WILDEYE

